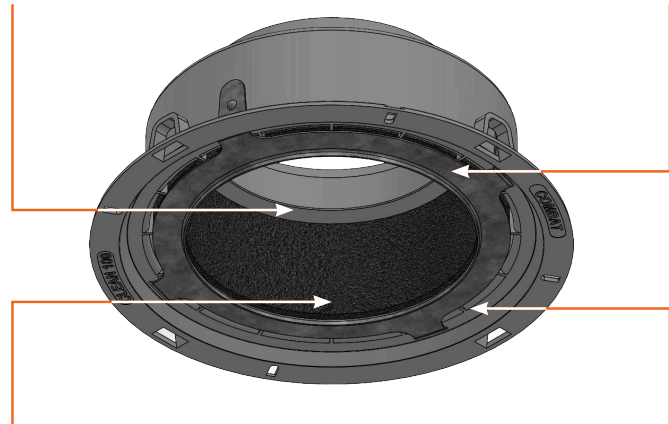


- ☑ Independently tested to AS1530.4 & AS4072.1
- ☑ No smoke and mirrors. Full test reports are available online at www.combatcollars.com.au
- ☑ Combat Collars have been tested with a fitting inside the collar which was pushed all the way to the top of the collar. Not all collars have been tested with a fitting and some have only been tested with a fitting partially inside the collar. Not all collars have been tested with the fitting fully inside the collar.
- ☑ Combat Collars have been tested with a fitting inside the collar which was pushed all the way to the top of the collar. Not all collars have been tested with a fitting and some have only been tested with a fitting partially inside the collar.

CLEAN 40

FITTINGS CAN BE PUSHED ALL THE WAY INSIDE THE COLLAR FOR PVC PIPES

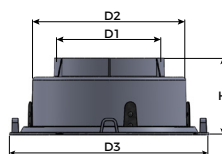
STRENGTHENED RETAINING PLATE FOR SUPERIOR PERFORMANCE AT HIGH TEMPERATURE



FAST ACTING INTUMESCENT

CASING RIBS ALLOW EXTRA HEAT PENETRATION AND FASTER ACTIVATION

CLEAN 40



COMBAT COLLAR DIMENSIONS (mm)

	uPVC pipe nominal dia. (mm)	40
BODY	H	49 + 30*
	D1	43
	D2	100
FLANGE	D3	151

* additional height of the upright pipe grip

uPVC PIPES IN 120mm CONCRETE SLABS

PRODUCT CODE	PIPE DIA. NOMINAL (mm)	PIPE DIA. ACTUAL (mm)	FRL RESULT
CLEAN 40	Pipe only	40	-/240/240
	with fitting*	40	-/180/180

* Tested with a fitting inside the collar, which was pushed all the way to the top of the collar. Not all collars have been tested with a fitting and some have only been tested with a fitting partially inside the collar.

HDPE IN 120mm CONCRETE SLABS

PRODUCT CODE	PIPE DIA. NOMINAL (mm)	PIPE DIA. ACTUAL (mm)	FRL RESULT
CLEAN 40	Pipe only	32	-/180/180

INSTALLATION INSTRUCTIONS

- 1.** Place the collar on the formwork. Secure the collar to the formwork by nailing flat head clouts through the slots in the flange. Ensure the base flange is flat on the formwork so no concrete slurry can enter the collar.
- 2.** Insert a pipe section through the top of the collar, with the bottom sitting squarely on the formwork. The top of the pipe must be higher than the final height of the slab's upper surface. Ensure the pipe retains its true vertical position during the pour and while the slab sets.
- 3.** Ensure the underside of the collar is clean and free from debris once the form work is removed.

Contact your local distributor if you have any questions in relation to the product.

www.combatcollars.com.au